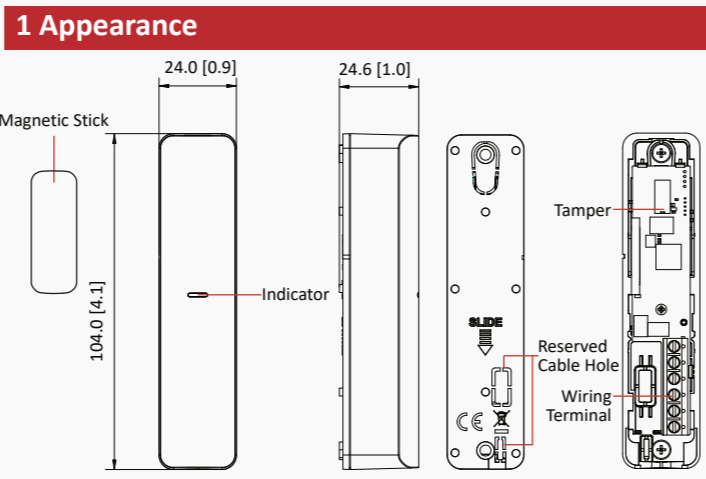
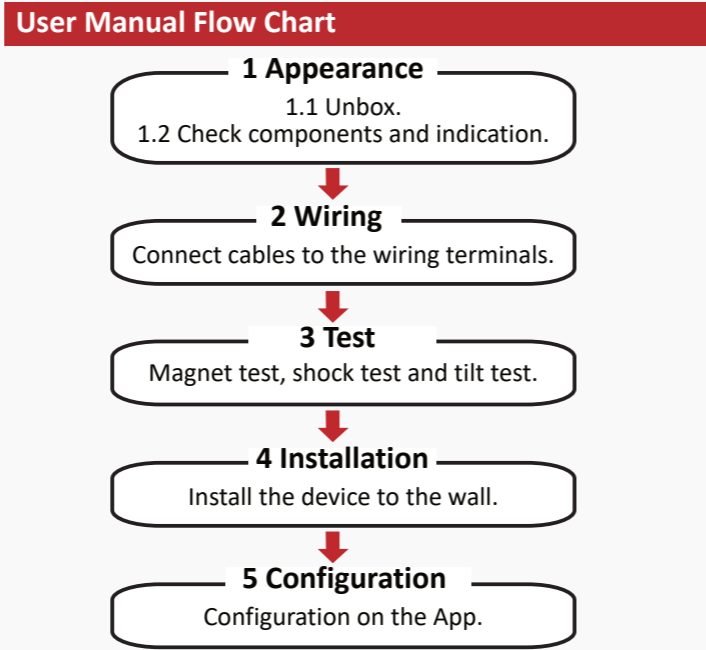


DS-PD540MCK Bus Indoor Magnetic Contact User Manual

EN 50131-1:2006+A1:2009+A2:2017+A3:2020
EN 50131-2-6:2008
EN 50131-2-8:2016
Security Grade 2, Environment Class II

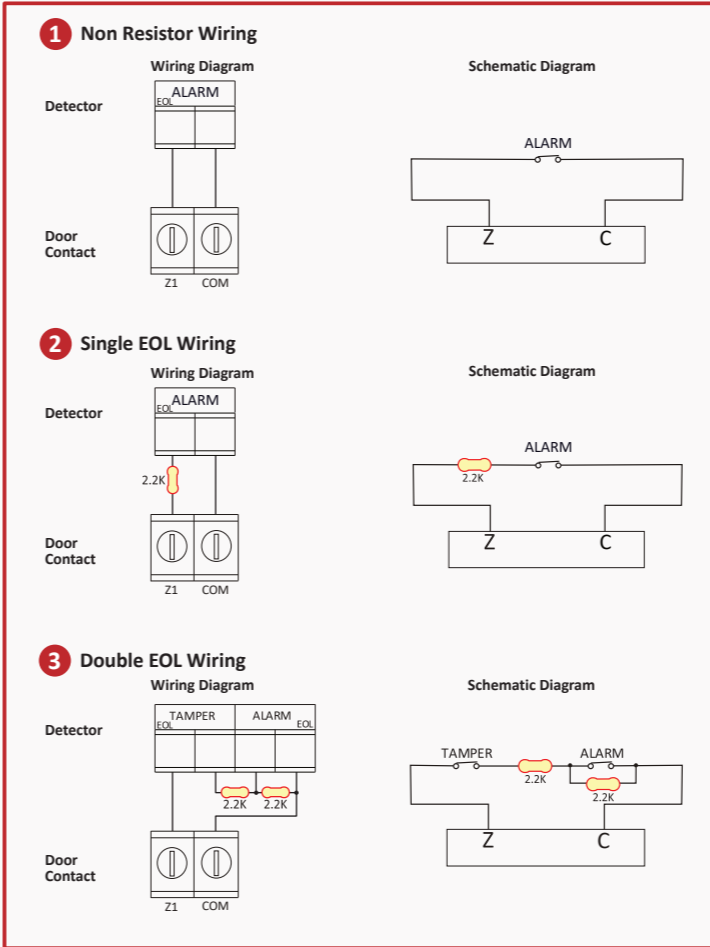
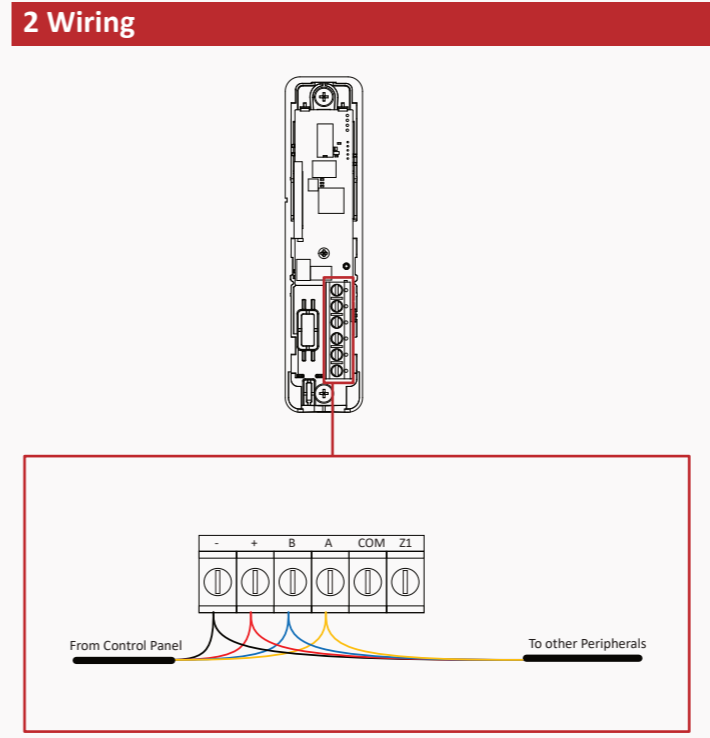


Indicator

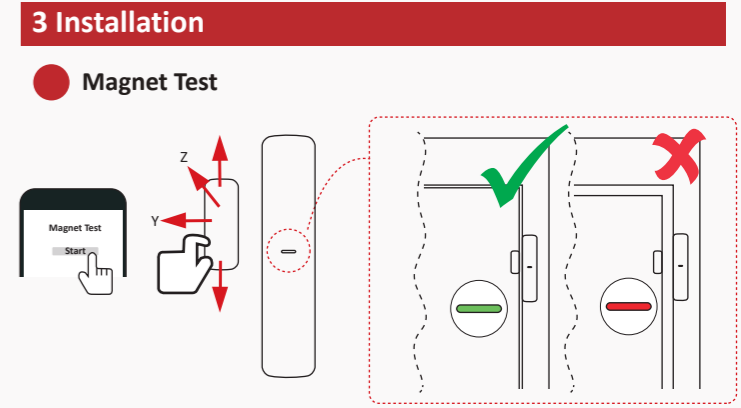
Indicator	Indicator Status	Device Status
	Solid Red	<ul style="list-style-type: none"> Magnetic Stick Far Away From Main Device (Magnetic Test Mode) Tampering Enrollment Failed
	Orange Flashes	<ul style="list-style-type: none"> Waiting for Enrollment Device Offline Enrolling
	Green Light for 1 s	Power On
	Solid Green	Magnetic Stick Closing to Main Device (Magnetic Test Mode)
	Green and Blue Light for 1 Time	Magnetic Door Contact or Extended Zone Alarm Triggered
	Red and Blue Light for 1 Time	Shock Alarm
	Orange and Blue Light for 1 Time	Tilt Alarm
	Green Light Flashes	Find Me
	Blue Light for 2 Seconds	<ul style="list-style-type: none"> Shock Detected (Shock Test Mode) Tilt Deviation Detected (Tilt Test Mode)
	Off	Working Properly Enrolling Completed (No Exception Occurred)



UD44438B-C



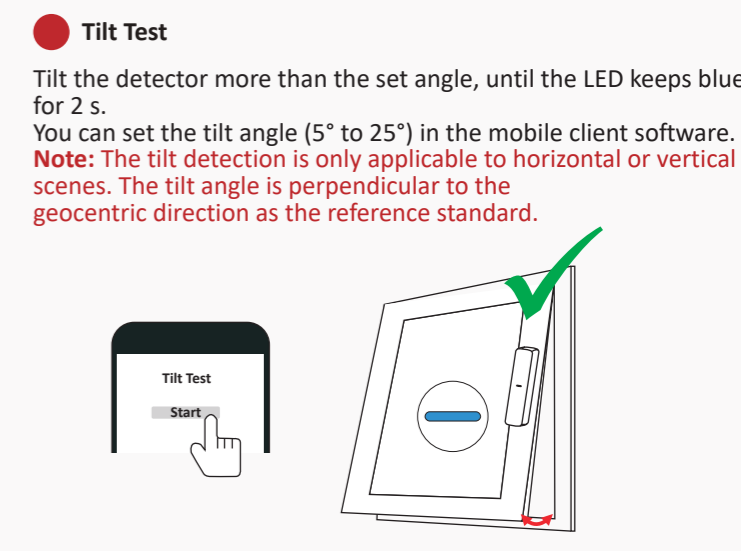
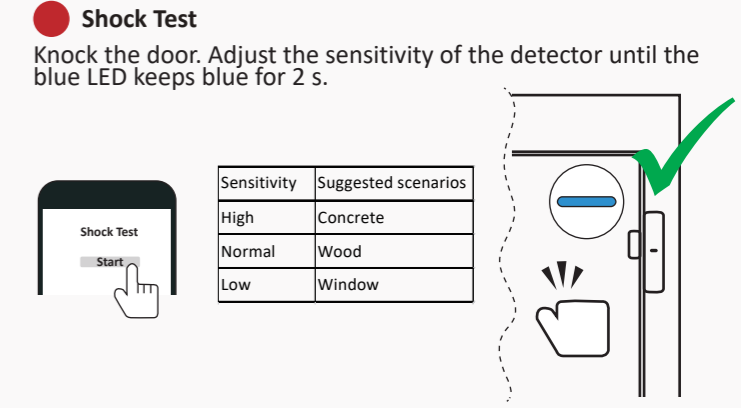
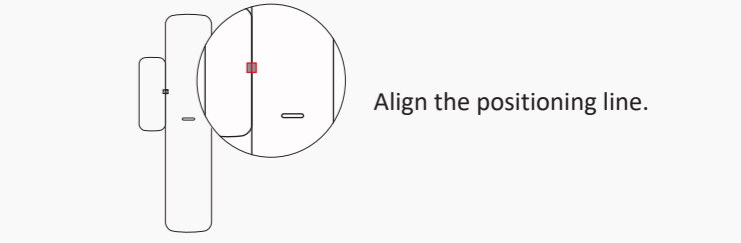
Note: The power source should be qualified and meet limited power source or PS2 requirements according to IEC 62368-1 standard.



Check if the installation position is properly.

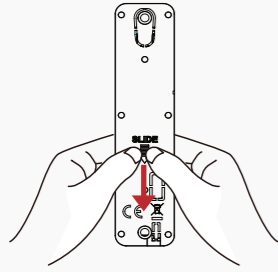
Detection Performance Table

Axes of Operation	Event	On non-ferromagnetic material surface	On ferromagnetic material surface
X+	Remove	13 mm	9 mm
	Approach	9 mm	8 mm
X-	Remove	11 mm	11 mm
	Approach	9 mm	10 mm
Y	Remove	39 mm	21 mm
	Approach	32 mm	19 mm
Z+	Remove	52 mm	20 mm
	Approach	46 mm	17 mm
Z-	Remove	46 mm	29 mm
	Approach	40 mm	25 mm

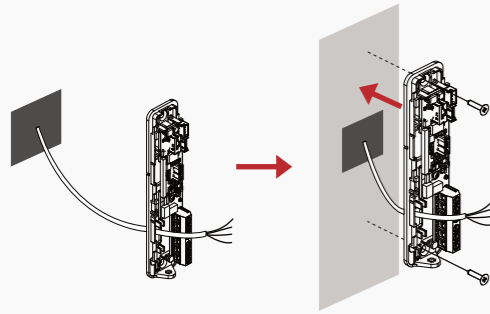


4 Installation

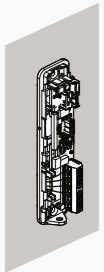
A Install with Mounting Plate



Step 1. Slide to disassemble the device. Remove the front panel.

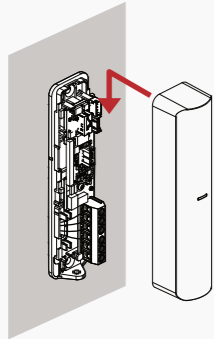


Step 2. Knock off the cable hole and thread the device with the cable from the wall. Then use 2 screws (KA3×25) to install the rear part on the wall.

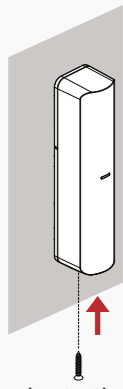


Step 3. Wire the cables.

Note: For wiring details, see chapter 2.

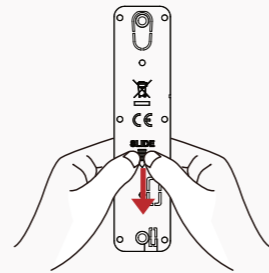


Step 4. Align the front panel with the rear panel. And slide the front panel down to fit properly.

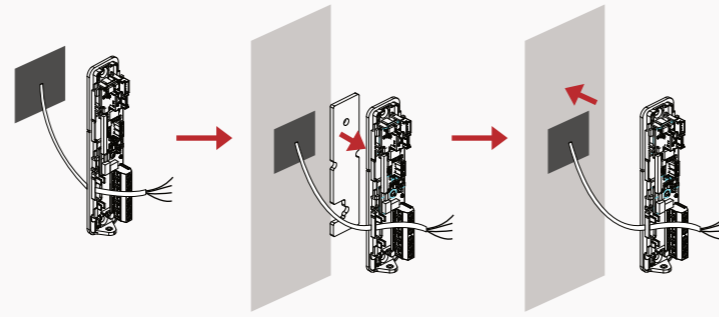


Step 5. Use 1 screw (PB3×6) to secure the front and rear panel.

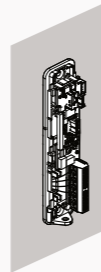
B Install with Sponge Tape



Step 1. Slide to disassemble the device. Remove the front panel.

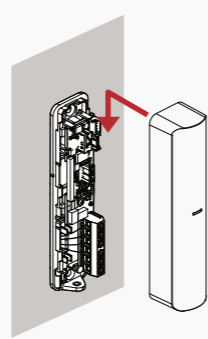


Step 2. Knock off the cable hole and thread the device with the cable from the wall. Stick the sponge tape to the back of the rear panel. And stick the rear panel on the wall.

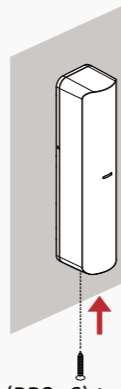


Step 3. Wire the cables.

Note: For wiring details, see chapter 2.



Step 4. Align the front panel with the rear panel. And slide the front panel down to fit properly.



Step 5. Use 1 screw (PB3×6) to secure the front and rear panel.

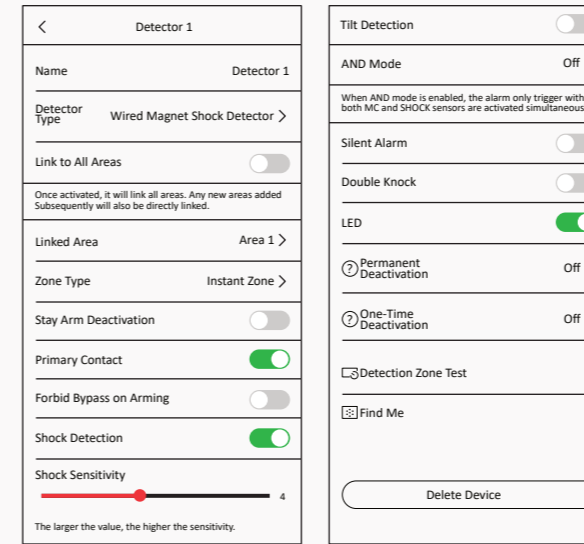
5 Configuration via App

After the peripherals are wired with BUS, they are enrolled on the control panel automatically. You can configure the peripherals' parameters on the App.

Step 1. Scan the QR code to download the mobile App.



Step 2. Tap the device on the device list page, and tap to configure device parameters.



Parameters	Descriptions
Name	Edit device name.
Detector Type	Select the detector type as Wired Magnet Shock Detector.
Link to All Areas	After enabled, it will link all areas. Any new areas added subsequently will also be linked.
Linked Areas	Select the area that the device is already linked.
Zone Type	View the device's belonged zone type.
Stay Arm Deactivation	After enabled, the zone will be automatically bypassed in stay arming mode.
Primary Contact	After enabled, when detect the contact is triggered, an alarm will be triggered.
Forbid Bypass on Arming	After enabled, you can not bypass zones when arming.
Shock Detection/Shock Sensitivity	After enabled, when detect a shock, an alarm will be triggered. You can set the shock sensitivity. The higher the number, the more easier to trigger an alarm.
Tilt Detection	After enabled, the device records the current position tilt as the reference tilt. When changes in the tilt of the device position, such as a window being lifted, etc., will trigger an alarm if the set threshold tilt is exceeded.
AND Mode	When AND mode is enable, an alarm will only be triggered when both MC and shock are detected.
Silent Alarm	After enabled, when an alarm is triggered, only the report will be uploaded and no sound is emitted.
Double Knock	After enabled, the time interval can be set. If the same detector is triggered twice or continuously in a period of time, the alarm will be triggered.
LED	You can select to enable/disable the LED function.
Permanent Deactivation	-Off: The deactivation function is not enabled. -Entirely: The device is permanently deactivated and will not notify about alarms or faults for one arming cycle.
One-Time Deactivation	-Off: The deactivation function is not enabled. -Entirely: The device is permanently deactivated and will not notify about alarms or faults.
Detection Zone Test	Simulate intrusions into the room from its doors, windows or other possible entrances to check if alarms can be triggered. The indicator will turn blue when an alarm is triggered.
Find Me	Tap Find Me and the device's indicator will flash or it will makes a sound.
Delete Device	Tap to delete the device.

About this Document

- This Document includes instructions for using and managing the Product. Pictures, charts, images and all other information hereinafter are for description and explanation only.
- The information contained in the Document is subject to change, without notice, due to firmware updates or other reasons. Please find the latest version of the Document at the Hikvision website (<https://www.hikvision.com>). Unless otherwise agreed, Hangzhou Hikvision Digital Technology Co., Ltd. or its affiliates (hereinafter referred to as "Hikvision") makes no warranties, express or implied.
- Please use the Document with the guidance and assistance of professionals trained in supporting the Product.

About this Product

This product can only enjoy the after-sales service support in the country or region where the purchase is made.

Acknowledgment of Intellectual Property Rights

- Hikvision owns the copyrights and/or patents related to the technology embodied in the Products described in this Document, which may include licenses obtained from third parties.
- Any part of the Document, including text, pictures, graphics, etc., belongs to Hikvision. No part of this Document may be excerpted, copied, translated, or modified in whole or in part by any means without written permission.
- **HIKVISION** and other Hikvision's trademarks and logos are the properties of Hikvision in various jurisdictions.
- Other trademarks and logos mentioned are the properties of their respective owners.

LEGAL DISCLAIMER

• TO THE MAXIMUM EXTENT PERMITTED BY APPLICABLE LAW, THIS DOCUMENT AND THE PRODUCT DESCRIBED, WITH ITS HARDWARE, SOFTWARE AND FIRMWARE, ARE PROVIDED "AS IS" AND "WITH ALL FAULTS AND ERRORS". HIKVISION MAKES NO WARRANTIES, EXPRESS OR IMPLIED, INCLUDING WITHOUT LIMITATION, MERCHANTABILITY, SATISFACTORY QUALITY, OR FITNESS FOR A PARTICULAR PURPOSE. THE USE OF THE PRODUCT BY YOU IS AT YOUR OWN RISK. IN NO EVENT WILL HIKVISION BE LIABLE TO YOU FOR ANY SPECIAL, CONSEQUENTIAL, INCIDENTAL, OR INDIRECT DAMAGES, INCLUDING, AMONG OTHERS, DAMAGES FOR LOSS OF BUSINESS PROFITS, BUSINESS INTERRUPTION, OR LOSS OF DATA, CORRUPTION OF SYSTEMS, OR LOSS OF DOCUMENTATION, WHETHER BASED ON BREACH OF CONTRACT, TORT (INCLUDING NEGLIGENCE), PRODUCT LIABILITY, OR OTHERWISE, IN CONNECTION WITH THE USE OF THE PRODUCT, EVEN IF HIKVISION HAS BEEN ADVISED OF THE POSSIBILITY OF SUCH DAMAGES OR LOSS.

• YOU ACKNOWLEDGE THAT THE NATURE OF THE INTERNET PROVIDES FOR INHERENT SECURITY RISKS, AND HIKVISION SHALL NOT TAKE ANY RESPONSIBILITIES FOR ABNORMAL OPERATION, PRIVACY LEAKAGE OR OTHER DAMAGES RESULTING FROM CYBER-ATTACK, HACKER ATTACK, VIRUS INFECTION, OR OTHER INTERNET SECURITY RISKS; HOWEVER, HIKVISION WILL PROVIDE TIMELY TECHNICAL SUPPORT IF REQUIRED.

• YOU AGREE TO USE THIS PRODUCT IN COMPLIANCE WITH ALL APPLICABLE LAWS, AND YOU ARE SOLELY RESPONSIBLE FOR ENSURING THAT YOUR USE CONFORMS TO THE APPLICABLE LAW. ESPECIALLY, YOU ARE RESPONSIBLE, FOR USING THIS PRODUCT IN A MANNER THAT DOES NOT INFRINGE ON THE RIGHTS OF THIRD PARTIES, INCLUDING WITHOUT LIMITATION, RIGHTS OF PUBLICITY, INTELLECTUAL PROPERTY RIGHTS, OR DATA PROTECTION AND OTHER PRIVACY RIGHTS. YOU SHALL NOT USE THIS PRODUCT FOR ANY PROHIBITED END-USES, INCLUDING THE DEVELOPMENT OR PRODUCTION OF WEAPONS OF MASS DESTRUCTION, THE DEVELOPMENT OR PRODUCTION OF CHEMICAL OR BIOLOGICAL WEAPONS, ANY ACTIVITIES IN THE CONTEXT RELATED TO ANY NUCLEAR EXPLOSIVE OR UNSAFE NUCLEAR FUEL-CYCLE, OR IN SUPPORT OF HUMAN RIGHTS ABUSES.

• IN THE EVENT OF ANY CONFLICTS BETWEEN THIS DOCUMENT AND THE APPLICABLE LAW, THE LATTER PREVAILS.

© Hangzhou Hikvision Digital Technology Co., Ltd. All rights reserved.